



CONNECCION

ersit®

CONNECXION

INTERACTIVE

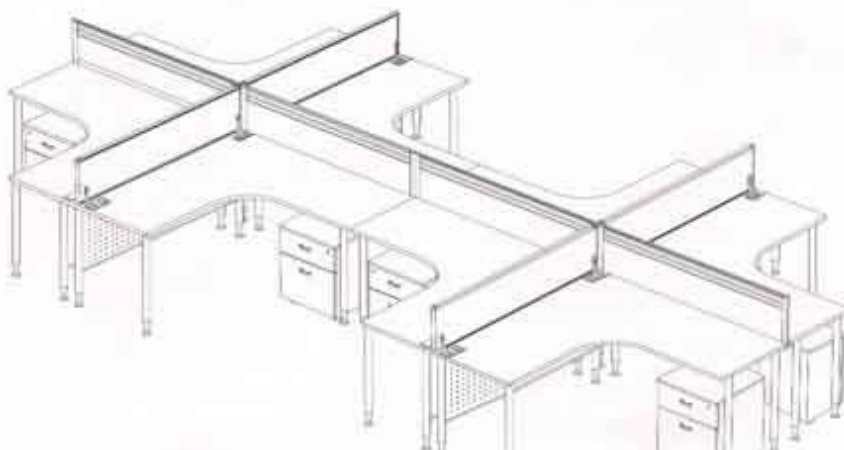




CONNECTION - A system that provides the best possible support for self-organisation, group sharing environment, and mobility in planning of workstation configurations. The traditional office concept in single-person and multi-person offices are based on supporting the individual needs of the senior management; with the lacking of parallel communication, **CONNECTION** is designed to eliminate such representative or hierarchical set-up, where efficiency is born of motivation, and forms the best possible ergonomic support of working

CONNECXION

TEAMWORK





Creating the workplace that works with easy assemble base support, expansion elements and freedom attachment; **CONNECTION** provides desking solution for the basic cubical or modular office concept. Wide selections of panel finishing offering varies need, such as attaching additional trays for storage of document and stationary, to use as privacy screen

CONNECXION

EXECUTIVE





CONNECXION Executive; featuring in futuristic design, contrasting colour combination and ergonomic work-surfaces to meet the demand of the dynamic senior offices, where form, material and function determine the characteristic of the workplaces. Well-designed cable management provide easy accessible solution for the electronic wired office.

CONNECXION

ACCESSORIES





Conference table in simplistic design

table top > maple
 edging > maple
 code > M/M

table top > light beech
 edging > light beech
 code > LB/LB

table top > beech
 edging > beech
 code > B/B

table top > light grey
 edging > light grey
 code > L/L

table top > light grey
 edging > graphite
 code > L/G

table top > graphite
 edging > graphite
 code > G/G



Sturdy round meeting table



Meeting table in futuristic look



SUSPENDED PANEL WITH FULL FABRIC



FP

FP-1202 (W1202 X H215) X (H215)
 FP-1501 (W1501 X H215) X (H215)
 FP-1801 (W1801 X H215) X (H215)
 FP-1201 (W1201 X H215) X (H215)
 FP-1501 (W1501 X H215) X (H215)
 FP-1801 (W1801 X H215) X (H215)
 Thickness: 21mm

SUSPENDED PANEL WITH FULL FABRIC



SFP

SFP-1203 (W1203 X H1215) X (H1215)
 SFP-1503 (W1503 X H1215) X (H1215)
 SFP-1803 (W1803 X H1215) X (H1215)
 SFP-1204 (W1204 X H1215) X (H1215)
 SFP-1504 (W1504 X H1215) X (H1215)
 SFP-1804 (W1804 X H1215) X (H1215)
 Thickness: 21mm

SUSPENDED PANEL WITH FABRIC AND ALUMINIUM



SPAF

SPAF-1203 (W1203 X H1215) X (H1215)
 SPAF-1503 (W1503 X H1215) X (H1215)
 SPAF-1803 (W1803 X H1215) X (H1215)
 SPAF-1204 (W1204 X H1215) X (H1215)
 SPAF-1504 (W1504 X H1215) X (H1215)
 SPAF-1804 (W1804 X H1215) X (H1215)
 Thickness: 21mm

SUSPENDED PANEL WITH FULL POLYCARBONATE



SPP

SPP-1203 (W1203 X H1215) X (H1215)
 SPP-1503 (W1503 X H1215) X (H1215)
 SPP-1803 (W1803 X H1215) X (H1215)
 SPP-1204 (W1204 X H1215) X (H1215)
 SPP-1504 (W1504 X H1215) X (H1215)
 SPP-1804 (W1804 X H1215) X (H1215)
 Thickness: 21mm

SUSPENDED PANEL WITH FULL ALUMINIUM



SPA

SPA-1203 (W1203 X H1215) X (H1215)
 SPA-1503 (W1503 X H1215) X (H1215)
 SPA-1803 (W1803 X H1215) X (H1215)
 SPA-1204 (W1204 X H1215) X (H1215)
 SPA-1504 (W1504 X H1215) X (H1215)
 SPA-1804 (W1804 X H1215) X (H1215)
 Thickness: 21mm

L - SHAPE TABLE TOP



CR-WC

CR-WC-18120-241190 X (H215) X (215)
 CR-WC-18120-241190 X (H215) X (215)
 CR-WC-18150-241190 X (H215) X (215)
 CR-WC-18150-241190 X (H215) X (215)
 CR-WC-18180-241190 X (H215) X (215)
 CR-WC-18180-241190 X (H215) X (215)
 CR-WC-18180-241190 X (H215) X (215)
 CR-WC-18180-241190 X (H215) X (215)

L - SHAPE TABLE TOP



WRC

WRC-18120-241190 X (H215)

L - SHAPE TABLE TOP



WIC

WIC-18120-241190 X (H215)

SIDE RETURN



WR

WR-1800-215 (W1800 X H215) X (H215)
 WR-1800-215 (W1800 X H215) X (H215)
 WR-1800-215 (W1800 X H215) X (H215)
 WR-1800-215 (W1800 X H215) X (H215)

SIDE RETURN



WR

WR-1800-215 (W1800 X H215) X (H215)
 WR-1800-215 (W1800 X H215) X (H215)
 WR-1800-215 (W1800 X H215) X (H215)
 WR-1800-215 (W1800 X H215) X (H215)

CABINET TOP



C-FC

C-FC-600 (W600 X H215) X (H215)
 C-FC-1800 (W1800 X H215) X (H215)
 C-FC-1800 (W1800 X H215) X (H215)
 C-FC-2100 (W2100 X H215) X (H215)
 C-FC-2400 (W2400 X H215) X (H215)

ROUND MEETING TOP



WM

WM-60 (D60 X H215)
 WM-90 (D90 X H215)

ROUND EXTENSION WORKSURFACE



WRE

WRE-60 (D60 X H215)

QUARTER ROUND CONNECTING WORKSURFACE



WCN

WCN-75 (D75 X H215) X (H215)
 WCN-90 (D90 X H215) X (H215)

MOBILE PEDESTAL C/W 1 DRAWER



MP-2-B

(W400 X D240) X (H215)

MOBILE PEDESTAL C/W 3 DRAWERS



MP-3-B

(W400 X D240) X (H215)

STATIONARY PEDESTAL C/W 2 DRAWERS



SP-503-B

(W400 X D240) X (H215)

FIXED PEDESTAL C/W 2 DRAWERS



FP-453-B

(W400 X D240) X (H215)

FP-503-B (W400 X D240) X (H215)
 FP-603-B (W600 X D240) X (H215)
 FP-603-B (W600 X D240) X (H215)

OPEN SHELVES CABINET



SC-60

(W600 X D240) X (H215)

SC-70

(W700 X D240) X (H215)

SWING DOOR CABINET



SC-61-B

(W600 X D240) X (H215)

SC-71-B

(W700 X D240) X (H215)

SLIDING DOOR CABINET



SC-62-B

(W600 X D240) X (H215)

SC-72-B

(W700 X D240) X (H215)

SWING GLASS DOOR CABINET



SC-63

(W600 X D240) X (H215)

SC-73

(W700 X D240) X (H215)

FIXED OPEN SHELVES CABINET



FC-70

(W600 X D240) X (H215)

FIXED SWING DOOR CABINET



FC-71-B

(W600 X D240) X (H215)

FIXED SLIDING DOOR CABINET



FC-72-B

(W600 X D240) X (H215)

FIXED SWING GLASS DOOR CABINET



FC-73

(W600 X D240) X (H215)

BACK CREDENZA



BC-2-B

(W1200 X D240) X (H170)

BACK CREDENZA



BC-3-B

(W1200 X D240) X (H170)

FIXED BACK CREDENZA



FC-2-B

(W1200 X D240) X (H170)

FIXED BACK CREDENZA



FC-3-B

(W1200 X D240) X (H170)

SWING DOOR CABINET



SC-85-B

(W600 X D240) X (H170)

SWING DOOR CABINET



SC-95-B

(W600 X D240) X (H170)

WIRE TRAY



WT-80

(W800 X D240) X (H170)

WT-120

(W1200 X D240) X (H170)

WT-150

(W1500 X D240) X (H170)

WT-180

(W1800 X D240) X (H170)

SOCKET HOLDER



SHB-3
SHB-4

(W1200 X D240) X (H170)

WIRE HOLDER



WH-200

(W200 X D240) X (H170)

CABLE CAP



CC

(W80 X H20mm)

KEYBOARD TRAY



KBT-08

(W400 X D200) X (H90)

CPU HOLDER



CPU-1

(W200 X D240) X (H100)

CPU HOLDER



CPU-3

(W200 X D240) X (H100)

FLAT BRACKET



DFB-50

(W100 X D240) X (H100)

HANGING SHELF



HS-58

(W500 X D200)

PANEL STAND



CS-65

(W1800 X D240) X (H170)

ACCESSORY BAR



TRAY HANGER



PENCIL TRAY



PAPER TRAY



PENCIL HOLDER



FILE HOLDER



PENCIL TRAY



PAPER TRAY





WWR
 WWR-12075-091200 X 20750
 WWR-18075-091200 X 20750
 WWR-18075-091500 X 20750
 WWR-18075-091500 X 20750
 WWR-18075-091500 X 20750



WWS
 WWS-12060-091200 X 20680
 WWS-12060-091500 X 20680
 WWS-12075-091200 X 20750
 WWS-12075-091500 X 20750
 WWS-18075-091200 X 20750



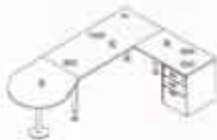
WWP
 WWP-12075-091200 X 20750
 WWP-12075-091500 X 20750
 WWP-18075-091500 X 20750



WSSP
 WSSP-18075-091200 X 20750
 WSSP-18075-091500 X 20750



WSPF
 WSPF-18075-091200 X 20750
 WSPF-18075-091500 X 20750

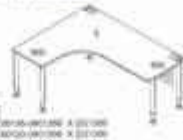


WKRXF WKRXF-24075-091200 X 20750



WKCXF WKCXF-24075-091200 X 20750

***L* - LEFT RETURN**



WK
 WK-12075-091200 X 20750
 WK-12075-091500 X 20750
 WK-12075-091500 X 20750
 WK-12075-091500 X 20750
 WK-12075-091500 X 20750
 WK-12075-091500 X 20750
 WK-12075-091500 X 20750

***R* - RIGHT RETURN**



WRP
 WRP-12075-091200 X 20750
 WRP-12075-091500 X 20750
 WRP-12075-091500 X 20750
 WRP-12075-091500 X 20750
 WRP-12075-091500 X 20750
 WRP-12075-091500 X 20750
 WRP-12075-091500 X 20750

***L* - LEFT RETURN**



WHCF-L WHCF-L-18075-091200 X 20750

***R* - RIGHT RETURN**



WHCF-R WHCF-R-18075-091200 X 20750

***L* - LEFT RETURN**



WHCF-L WHCF-L-24075-091200 X 20750

***R* - RIGHT RETURN**



WHCF-R WHCF-R-24075-091200 X 20750



CX-MT4 CX-MT4-180-091500 X 20750
 CX-MT4-240-091500 X 20750



CX-MT2 CX-MT2-480-091500 X 20750



CX-MT3 CX-MT3-480-091500 X 20750



WHCC WHCC-180-091500 X 20750

L-SHAPE TABLE TOP



FC-R
 FC-R-1200-091200 X 20680 X 26080
 FC-R-1200-091500 X 20680 X 26080
 FC-R-1800-091500 X 20680 X 26080

L-SHAPE TABLE TOP



FC-L
 FC-L-1200-091200 X 20680 X 26080
 FC-L-1200-091500 X 20680 X 26080
 FC-L-1800-091500 X 20680 X 26080

P-SHAPE CONNECTING WORKSURFACE



DX
 DX-900-091200 X 20680
 DX-750-091200 X 20680

ROUND CONNECTING WORKSURFACE



WCN-TS
 WCN-TS-75-091200 X 20680
 WCN-TS-75-091500 X 20680
 WCN-TS-75-091500 X 20680

PEDESTAL TOP



WFP-H WFP-V
 WFP-H-1200-091200 X 20680
 WFP-H-1200-091500 X 20680
 WFP-H-1800-091200 X 20680
 WFP-H-1800-091500 X 20680

H - HORIZONTAL



WCH-H
 WCH-H-120-091200 X 20680
 WCH-H-120-091500 X 20680
 WCH-H-180-091200 X 20680
 WCH-H-180-091500 X 20680

V - VERTICAL



WCV-V
 WCV-V-120-091200 X 20680
 WCV-V-120-091500 X 20680
 WCV-V-180-091200 X 20680
 WCV-V-180-091500 X 20680

TRIANGLE TABLE TOP



WD-120
 WD-120-120-091200 X 20750

MODESTY PANEL BRACKET



MB-1

2 WAY MODESTY PANEL BRACKET



MB-2

SIDE RETURN



CX-5R
 CX-5R-900-091200 X 20680

MODESTY PANEL



PMS/PW
 PMS-PW-120-091200 X 20680

MODESTY PANEL



PMS/PW
 PMS-PW-120-091200 X 20680
 PMS-PW-120-091500 X 20680
 PMS-PW-180-091200 X 20680
 PMS-PW-180-091500 X 20680

MODESTY PANEL



PMS/PW
 PMS-PW-120-091200 X 20680

ALUMINUM LEG



INT-45

ALUMINUM LEG



INT-75

METAL LEG WITH SLIDER



LS-80

CYLINDRICAL METAL LEG



INT-30

CYLINDRICAL ALUMINUM LEG WITH ADJUSTABLE HEIGHT



LS-30

METAL LEG WITH CASTOR (WITH BRAKE)



LSB-80
 LSB-80 X 20750

CYLINDRICAL ALUMINUM LEG



LS-60
 LS-60 X 20750

ALUMINUM LEG WITH TRIANGLE BASE



LS-70
 LS-70 X 20750



intersit®
creating
environment that works

